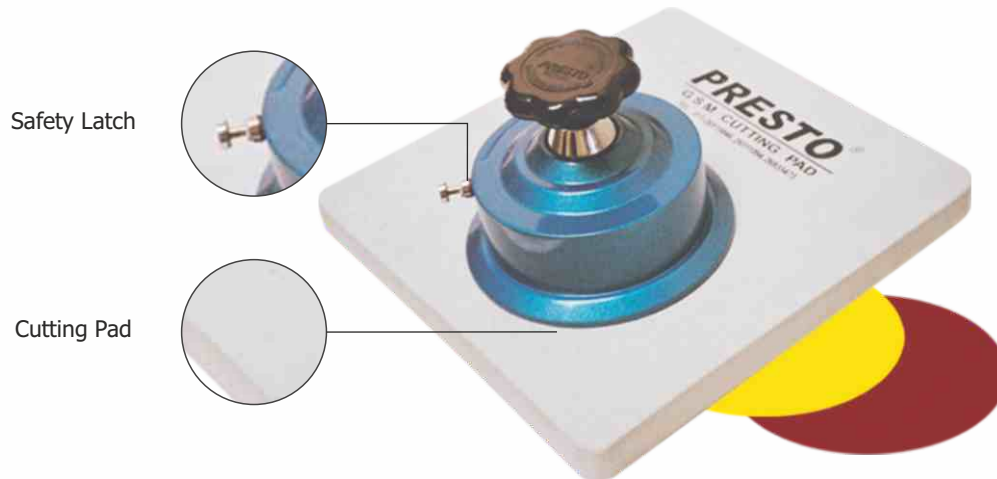


## GSM Round Cutter - Dx

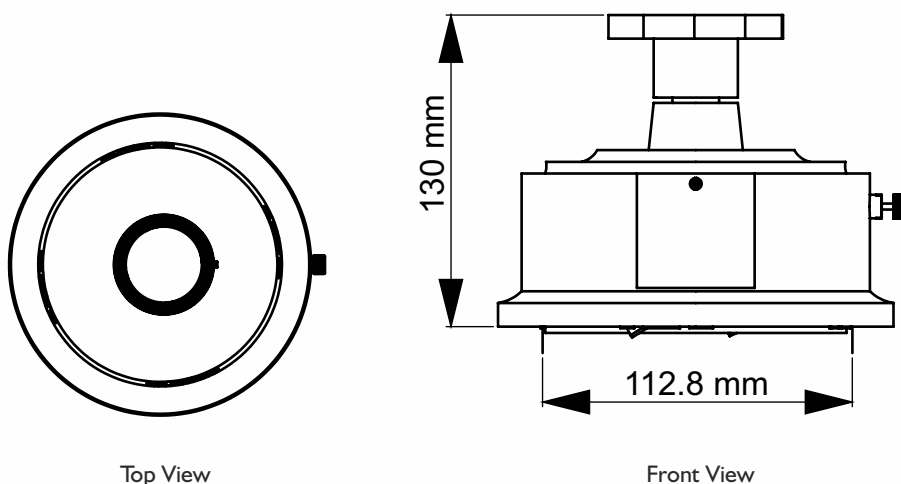


### Model No. PRC - 101

**GSM Round Cutter** is a consistent tool useful for precise circular cutting of samples. Used to check the grammage of various sample. It cuts a sample with 100 sq. cm size rapidly and accurately.

Used in various Industries like paper and packaging, textile, films, foils etc.

- High Quality Aluminum pressure die casted main body
- Light weight and resilient
- Highly accurate test results
- Heavy Duty German Cutting Blades
- Available with Safety Latch Facility



### Key Specifications:

Sample Area	100 sq.cm
Sample Diameter	112.8 mm
Handle material	Bakelite
Movement of Handle	¼ round to cut a sample

### Highlights:

No. of Blades	4
Safety Latch	Yes
Material of Main Body	Die casted Aluminum
Sample size	100 sq.cm
Sample cutting pads	2 (Both side usable)

\* Sample cutting thickness for paper & corrugated upto 4 mm.

#### Standard Accessories :

- Cutting pad pack of 2 nos. and Heavy Duty German Cutting Blades Pack of 4 nos.

#### Optional Features :

- Combine with Digital Weighing balance for a complete Grammage Checking Kit.

Thank you customers for choosing us as your partners in growth !



\*All the above logos are the sole property of their respective owners and are used purely for depiction purposes only.

### OUR OTHER PRODUCTS :-



#### Head Office : Presto Stantest Private Limited

I-42, DLF Industrial Area Phase-I, Delhi Mathura Road, Faridabad 121003, Haryana, India  
 P : +91 129 4272727 E : info@prestogroup.com

#### Branches :

##### Mumbai

503-504B, Fair link Centre, Opp. Fame Adlab  
 Behind Mongini's Off Link Road  
 Andheri (West), Mumbai 400058  
 P : +91 022 42957052, 42957053  
 E : west@prestogroup.com

##### Kolkata

93, 3<sup>rd</sup> Floor, Karnani Estate  
 209, A.J.C. Bose Road  
 Kolkata-700017. West Bengal  
 P : +91 033 40612012  
 E : east@prestogroup.com

##### Chennai

A-3, First Floor, Sri Sathya Sai Building  
 755, Poonamallee High Road, Kilpauk  
 Chennai- 600 010. Tamil Nadu  
 P : +91 044 43865260, 43838372  
 E : south@prestogroup.com

