

Bursting Strength Tester - Analogue



MODEL PBS - 203

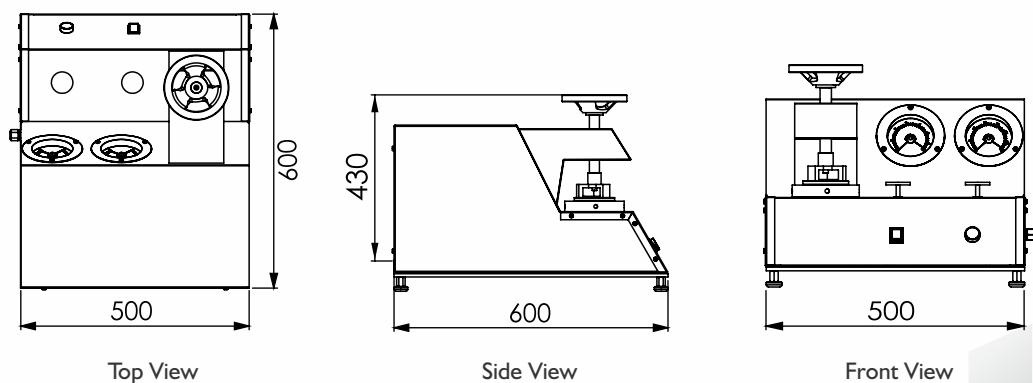
Bursting Strength Tester Analogue is a consistent tool to indicate the Strength and performance of material like Rexene, leather, paper boards, paper, uneven boards and boxes, industrial fabric and solid fiber boards, filter cloth, plastic films, Foils, sheets, etc.

PRESTO Bursting Strength Tester is manufactured under various Test Standards ASTM D 3786-01, ASTM D 3786 – 80A, ISO 1060 PART-1 1987.

Available in Various models like Digital Pneumatic, Computerized cum digital model with Manual Clamping and Computerized cum digital model with pneumatic clamping.

- Single Push Button Operation
- Highly accurate test results under multidirectional Force
- Strong Gripping clamps
- Grooved structure of Test Specimen Holder to avoid slippage and intact holding of specimen under test
- No slippage in case specimen is tightened uniformly using operating wheel

Bursting strength is the force required to burst or rupture the material under testing. Bursting strength of test specimen is expressed in terms of Kg/cm². It is measured by giving hydraulic pressure through a rubber diaphragm on the test specimen.



Key Specifications :

Capacity	0 – 7 kg/cm ² and 0– 35 kg/cm ²
Display	Analogue
Accuracy	± 1% within 10% to 90% of entire range as per IS:1828 with master gauge.
Least Count/Resolution	0.2 Kg/cm ² for Gauge I 1.0 kg/cm ² for Gauge II
Power	220V , Single phase, 50 Hz
Test fluid	Glycerin about 98% purified (lab grade)
Rate of fluid displacement	95 cc/minute
Motor	1/4 HP Single Phase , 1440 rpm
Gauge Selection	Through Needle Valve

Optional Features :

Digital, Pneumatic and computerized models also available (with or without printer facility). The Bursting strength in Kg/cm² of the test specimen is displayed on the analogue display. Thereafter bursting factor and burst index can be calculated by the user.

Standard Accessories :

- 100 ML Glycerin bottle 1 no.
- Rubber Diaphragm pack of 2 nos.
- Calibrated Aluminium foil pack of 4 nos.
- Screw Driver 1 no.
- Glycerin bowl opening wrench 1 no.

Highlights :

No. of Gauge	2
Safety Switch	Yes
Material	Mild Steel
Finish	Powder coated Havel Gray & Blue combination finish and bright chrome / zinc plating for corrosion resistant finish
Dimensions	540x 600x 450 mm

Thank you customers for choosing us as your partners in growth !



*All the above logos are the sole property of their respective owners and are used purely for depiction purposes only.

OUR OTHER PRODUCTS :-



Head Office : Presto Stantest Private Limited

I-42A, DLF Industrial Area Phase-I, Delhi Mathura Road, Faridabad 121003, Haryana, India
P : +91 129 4272727 E : info@prestogroup.com

Branches :

Mumbai

503 B, Fair link Centre, Opp. Fame Adlab Behind Mongini's Off Link Road Andheri (West), Mumbai 400058
P : +91 022 42957052, 42957053
E : west@prestogroup.com

Kolkata

93, 3rd Floor, Karnani Estate 209, A.J.C. Bose Road Kolkata-700017. West Bengal
P : +91 033 40612012
E : east@prestogroup.com

Chennai

A-3, First Floor, Sri Sathya Sai Building 755, Poonamallee High Road, Kilpauk Chennai- 600 010. Tamil Nadu
P : +91 044 43865260, 43838372
E : south@prestogroup.com