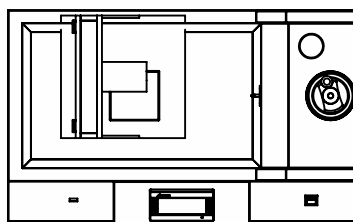


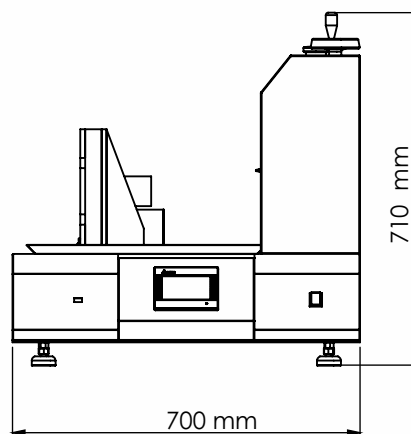
Face Mask Synthetic Blood Penetration Tester



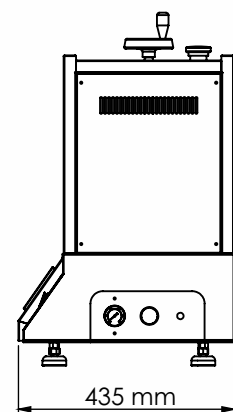
Mask Synthetic Blood Penetration Tester is used to determine the resistance of protective masks to penetrate synthetic blood under different test pressures and its penetration on the material/mask inspected visually. This test method challenges medical face masks with a fixed volume of synthetic blood directed at high velocity at the center of the mask.



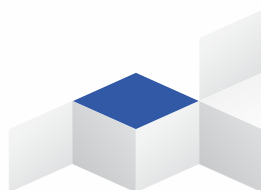
Top view



Front view



Side view



Features :

- HMI TFT display
- Splattering speed can be adjusted with Pressure regulator.
- Equipped with constant Pressure spray device so that equal volume of liquid sprayed.
- Special mask fixing device enables to perform the actual state of use of a mask
- Separate Arrangement is provided to drain excess water
- Equipped with target plate which allows only steady-state flow portion to be sprayed on the sample therefore increases accuracy and repeatability of the liquid velocity being sprayed on the sample.
- User can make test profile, which includes Injection time, viewing time, user name, product name etc.
- Test Data can be retrieved in excel format through USB port.

Technical specifications

Cannula dia	0.8 mm
Splatter distance	Adjustable
Fluid Velocity	450cm/s, 550cm/s, 635cm/s
Blood Pressure	2.2 to 3.1 bar
Power supply	220 V, 50 Hz

Thank you customers for choosing us as your partners in growth !



*All the above logos are the sole property of their respective owners and are used purely for depiction purposes only.

OUR OTHER PRODUCTS :-



Head Office :

Presto Stantest Private Limited

I-42, DLF Industrial Area Phase-1, Delhi Mathura Road, Faridabad 121003, Haryana, India

P : +91 129 4272727 (100 Lines) E : info@prestogroup.com

• Faridabad • Kolkata • Mumbai • Pune • Ahmedabad • Chennai • Bangalore

