

Torque Tester – Digital

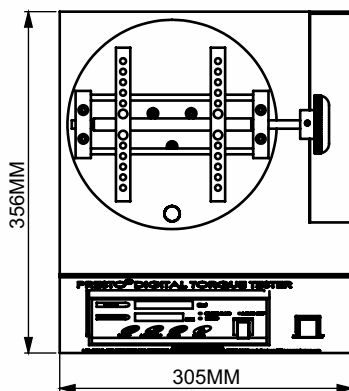


Model No. PTT-0102

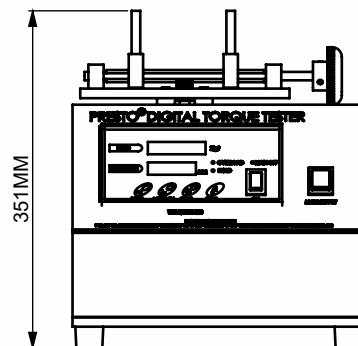
Registered Design No. 279105

Torque Tester – Digital is a consistent tool to measure the force or torque required to open a closed cap of PET bottle. It gives Torque in digital format. The digital display is a high end sophisticated read out with Auto Tare (ZERO) set facility and Peak Hold arrangement. The test sample is placed in between the anti-slip holders/pegs for strong holding of test sample.

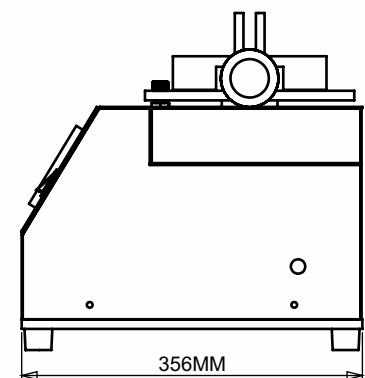
- Strong clamping pegs/holders for zero slip gripping support
- Digital Display for accuracy and repeatability
- In-house calibration facility
- Precise measurement of torque
- Adjustable clamping mechanism to hold different size of bottles
- Highly accurate torque sensor
- Easy to read LED display
- Provision to hold peak value in memory
- 9 Sample readings can be saved on digital readout
- Data output in digital display form
- Safety lock pin to eliminate extra force on the Torque sensor.
- A sample reading can be seen on - digital readout.



Top View



Front View



Side View

Torque Tester is designed to provide accurate and precision based torque value. The instrument is used for testing the opening force of the PET bottles when subjected to a load under twisting.

Key Specifications:

Models Available in various Torque Range *	<ul style="list-style-type: none"> • 20 lb inch • 25 lb-inch • 50 lb-inch • 100 lb-inch
Accuracy	± 0.5 lb-Inch (with master weight)
Least Count/Resolution	0.1 lb-inch
Power	220V , Single phase, 50 Hz
Display	Digital (LED) 7 segment display
Torque Monitoring	Peak Load indicator with Digital readout and peak hold feature
Minimum Diameter for specimen holding	30 mm
Maximum Diameter for specimen holding	110 mm
Weights for Calibration	10 lbs, 20 lbs (optional parts)

Highlights:

Safety	Yes
Standard weights (for calibration)	2 (optional parts)
Material	Mild Steel
Finish	Powder coated Havel Gray & Blue combination finish and bright chrome / zinc plating for corrosion resistant finish
Dimensions	305x355x350 mm
Pag Pin	Changeable Position

Optional Accessory:

- Calibration Kit - with master calibrated weights.
- Models Available in various Torque Range on request.

Thank you customers for choosing us as your partners in growth !



*All the above logos are the sole property of their respective owners and are used purely for depiction purposes only.

OUR OTHER PRODUCTS :-



Head Office : Presto Stantest Private Limited

I-42, DLF Industrial Area Phase-I, Delhi Mathura Road, Faridabad 121003, Haryana, India
 P : +91 129 4272727 E : info@prestogroup.com

Branches :

Mumbai

503-504B, Fair link Centre, Opp. Fame Adlab Behind Mongini's Off Link Road Andheri (West), Mumbai 400058
 P : +91 022 42957052, 42957053
 E : west@prestogroup.com

Kolkata

93, 3rd Floor, Karnani Estate 209, A.J.C. Bose Road Kolkata-700017. West Bengal
 P : +91 033 40612012
 E : east@prestogroup.com

Chennai

A-3, First Floor, Sri Sathya Sai Building 755, Poonamallee High Road, Kilpauk Chennai- 600 010. Tamil Nadu
 P : +91 044 43865260, 43838372
 E : south@prestogroup.com

