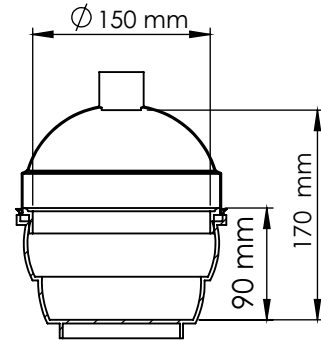


# Vacuum Leak Tester Digital - ECO

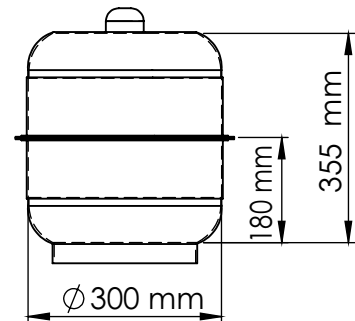


Model PVL - 0130 (150 mm)

### Desiccator Size :



Model PVL - 130 (150 mm)

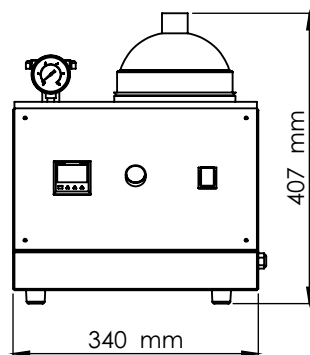


Model PVL - 130 (300 mm)

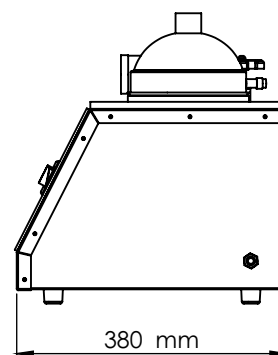
The Presto leak detector machine is a high quality packaging seal integrity tester that adds quality control measures to your packaging applications. Regardless of contents, the vacuum seal integrity test will help ensure that your packaged product is sealed to your specifications. Benefits of will be realized by many industries from package manufacturers and converters to end user packagers in the packaging of: **Coffee, foiled cups, gels, Pouches, grains, cereal, bakery, namkeen, chips, Confectionery, snacks, pasta, frozen foods, cheese, pet food and treats, Medical and pharmaceutical**, and many more.

### Using a Package Leak Detector

The Presto package leak detector can be used for a variety of different package types, from stand-up pouches, packages with modified atmosphere packaging (MAP), rigid trays, vacuum skin packs, thermoform packages, sachets, flow wraps, form fill seal (VFFS) and reclosable packages. Wherever package seal integrity is critical, the vacuum seal tester can be used to detect if there are any faults in the package's seal, seam or closure before making it to production or your customer.



FRONT VIEW



SIDE VIEW

• Dimensions are as per Model PVL - 0130 (150 mm)



## Dry Chamber Flexible Package Testing

The Dry Chamber method of package leak detection is best suited for packages whose contents are liquid and have little headspace or air within the package. The package is placed in a dry tank (or chamber) on a paper towel or absorbent-type material. The vacuum is drawn to operator specifications and if after the test finishes, the towel or material is wet, the package seal is faulty.

## Altitude Simulation Seal Integrity Test Methods

Altitude simulation is important for all goods traveling with varying altitude levels, most commonly air travel or over ground crossing mountain ranges. Upon takeoff and landing, the product will undergo extremes in altitude level. The Altitude Simulation method (**per ASTM Standard Test Method D6653**) can be performed in either a dry or wet tank (or chamber) depending upon package contents through referencing a Vacuum versus Altitude simulation chart.

### Specifications:

- Vacuum adjustable up to – 800 mb (-600 mm-Hg.)
- Box made of polished transparent PMMA (very rugged)
- Easy to use and safe
- 2 stage vacuum and holding time setting
- Accuracy: 0.5% of the measure
- Delivered with vacuum generator
- Customised Box with dimensions upon request

*Thank you customers for choosing us as your partners in growth !*



\*All the above logos are the sole property of their respective owners and are used purely for depiction purposes only.

---

### Head Office : Presto Stantest Private Limited

i-42, DLF Industrial Area Phase-I, Delhi Mathura Road, Faridabad 121003, Haryana, India  
P : +91 129 4272727 E : info@prestogroup.com

### Branches :

#### Mumbai

503-504 B, Fair link Centre, Opp. Fame Adlab  
Behind Mongini's Off Link Road  
Andheri (West), Mumbai 400058  
P : +91 022 42957052, 42957053  
E : west@prestogroup.com

#### Kolkata

93, 3<sup>rd</sup> Floor, Karnani Estate  
209, A.J.C. Bose Road  
Kolkata-700017. West Bengal  
P : +91 033 40612012  
E : east@prestogroup.com

#### Chennai

A-3, First Floor, Sri Sathya Sai Building  
755, Poonamallee High Road, Kilpauk  
Chennai- 600 010. Tamil Nadu  
P : +91 044 43865260, 43838372  
E : south@prestogroup.com

