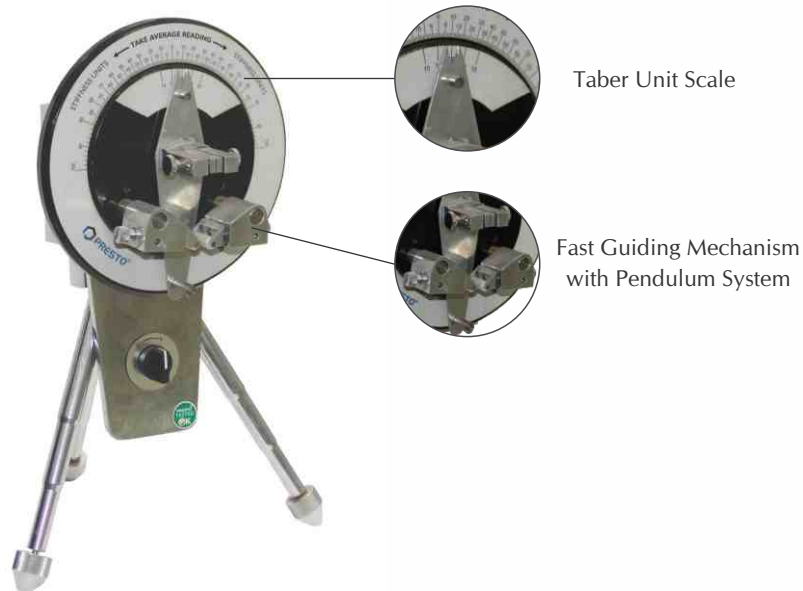


Stiffness Tester

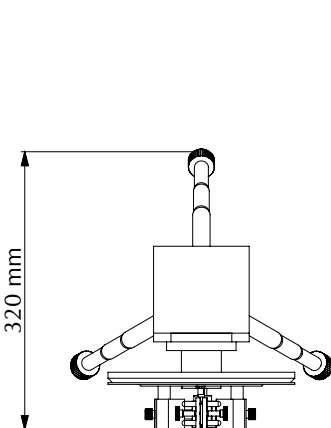


Model No. PST - 001

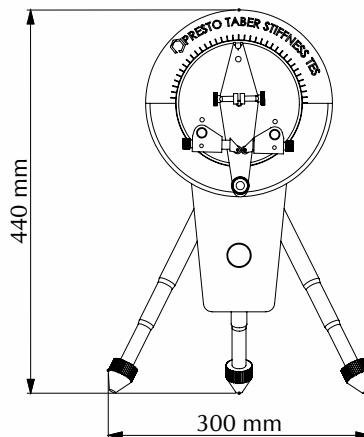
Stiffness Tester is a consistent tool useful to measure stiffness or flexural rigidity of paper and paper board. Stiffness Tester is used to determine the resistance of paper and paper board to bending. The economic value of paperboard highly depends upon its bending resistance or stiffness.

This is a Taber Type Instrument. The specimen is moved in left and right direction as per Taber guideline. PRESTO Stiffness Tester is designed as per standards TAPPI –T489 OM-08.

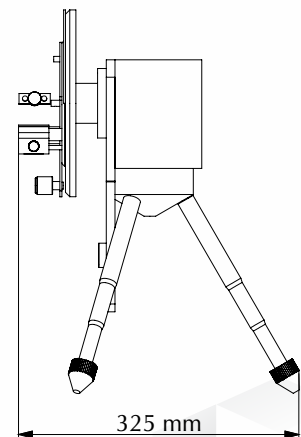
- High Quality rugged structure with corrosion resistant main body
- Taber Unit scale to measure the Stiffness
- Light weight and resilient
- Pendulum system for frictionless movement
- Fast Guiding Mechanism with pendulum system
- Single handed hassle free operation
- Highly accurate test results
- Ratchet and Fat clamping fixtures for test Specimen



Top View



Front View



Side View

Key Specifications:

Weights for Pendulum	500, 1000, 2000, 3000, 5000 SU
Weight of Stud	10 ± 0.001 gm
Sample Size	70 ± 1 mm x 38.1 ± 0.3 mm
Unit Scale range	0 - 100
Angle	7.5°, 15°
Motor	2 RPM
Power	220V, 50Hz, Single Phase

Highlights:

Friction of Pandulam	High procession Bearing
Clamps	2 (Ratchet type and Flat type)
Legs	Telescopic legs
Materiabf Main Body	Mild Steel / Aluminum
Dimensions	300x320x440 mm
Finish	Combination finish & Bright Chrome-palting

PRESTO Stiffnesstester is a two directional pendulum type system. Force is applied to the lower end of the specimen by a pair of rollers attached to the driving disc. The resulting torque tilts the pendulum from its vertical position and the reading is shown by the pendulum.

Thank you customers for choosing us as your partners in growth !



*All the above logos are the sole property of their respective owners and are used purely for depiction purposes only.

OUR OTHER PRODUCTS :-



Head Office : Presto Stantest Private Limited

I-42, DLF Industrial Area Phase-I, Delhi Mathura Road, Faridabad 121003, Haryana, India
 P : +91 129 4272727 E : info@prestogroup.com

Branches :

Mumbai

503-504B, Fair link Centre, Opp. Fame Adlab
 Behind Mongini's Off Link Road
 Andheri (West), Mumbai 400058
 P : +91 022 42957052, 42957053
 E : west@prestogroup.com

Kolkata

93, 3rd Floor, Karnani Estate
 209, A.J.C. Bose Road
 Kolkata-700017. West Bengal
 P : +91 033 40612012
 E : east@prestogroup.com

Chennai

A-3, First Floor, Sri Sathya Sai Building
 755, Poonamallee High Road, Kilpauk
 Chennai- 600 010. Tamil Nadu
 P : +91 044 43865260, 43838372
 E : south@prestogroup.com

