

# Bursting Strength Tester – Digital Pneumatic



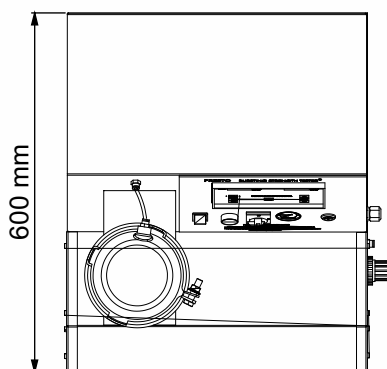
## Model No. PBP - 600

**Bursting Strength Tester – Digital Pneumatic** is a consistent tool to indicate the Strength and performance of material like Rexene, leather, paper boards, paper, uneven boards and boxes, industrial fabric and solid fiber boards, filter cloth, plastic films, Foils, sheets, etc. PRESTO Bursting Strength Tester is manufactured under various Test Standards ASTM D 3786-01, ASTM D 3786 – 80A, ISO 1060 PART-1 1987.

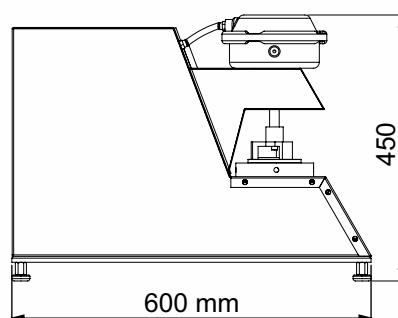
Available in Various models like Analogue, Digital, Computerized cum digital model with Manual or Pneumatic Clamping and digital model with printer facility.

- Single Push Button Operation
- Auto Sample Locking under selectable pressure range
- Microprocessor based display for accurate test results
- Peak Hold facility for keeping maximum value of test result in memory
- Memory to hold up to 9 test reading
- Highly accurate test results under multidirectional Pneumatic Force
- Strong Gripping clamps
- Grooved structure of Test Specimen Holder to avoid slippage and intact holding of specimen under test
- Bright LED display
- Feather touch controls
- Calibration lock & key feature

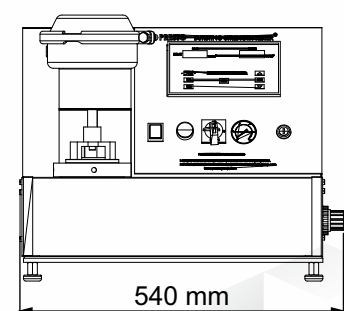
Bursting strength is the force required to burst or rupture the material under testing. Bursting strength of test specimen is expressed in terms of Kg/cm<sup>2</sup>. It is measured by giving hydraulic pressure through a rubber diaphragm on the test specimen.



Top View



Side View



Front View

### Key Specifications:

Capacity	40 kg/cm <sup>2</sup>
Display	LED (Digital)
Specimen Clamping	Pneumatic
Accuracy	± 1% within 10% to 90% of entire range as per IS : 1828 with master gauge
Least Count/Resolution	0.1 Kg/cm <sup>2</sup>
Pressure Sensor	Pressure Transducer
Power	220V, Single phase, 50 Hz
Test fluid	Glycerin about 98% purified (lab grade)
Rate of fluid displacement	95 cc/minute
Motor	1/4 HP, Single Phase, 1440 rpm
Test Range	1Kg / cm <sup>2</sup> to 38 Kg / cm <sup>2</sup>

### Optional Features:

- Digital and Pneumatic computerized models also available (with or without printer facility)

The Bursting strength in Kg/cm<sup>2</sup> of the test specimen is displayed on the digital display. There after bursting factor and burst index can be calculated by the user.

### Standard Accessories :

- 100 MI Glycerin bottle 1 no.
- Rubber Diaphragm pack of 2 nos.
- Calibrated Aluminium foil pack of 4 nos.
- Screw Driver 1 no.
- Glycerin bowl opening wrench 1 no.

### Highlights:

Memory (to hold test value)	Up to 9 test values
Peak Hold Facility	Yes
Safety Switch	Yes
Material	Mild Steel
Finish	Powder coated Havel Gray & Blue combination finish and bright chrome / zinc plating for corrosion resistant finish
Dimensions	550x600x450 mm
Sample Clamp Pressure	2 - 5 Bar

\* Air compressor not a part of supply

Thank you customers for choosing us as your partners in growth !



\*All the above logos are the sole property of their respective owners and are used purely for depiction purposes only.

### OUR OTHER PRODUCTS :-



### Head Office : Presto Stantest Private Limited

I-42, DLF Industrial Area Phase-I, Delhi Mathura Road, Faridabad 121003, Haryana, India  
 P : +91 129 4272727 E : info@prestogroup.com

### Branches :

#### Mumbai

503-504B, Fair link Centre, Opp. Fame Adlab  
 Behind Mongini's Off Link Road  
 Andheri (West), Mumbai 400058  
 P : +91 022 42957052, 42957053  
 E : west@prestogroup.com

#### Kolkata

93, 3<sup>rd</sup> Floor, Karnani Estate  
 209, A.J.C. Bose Road  
 Kolkata-700017. West Bengal  
 P : +91 033 40612012  
 E : east@prestogroup.com

#### Chennai

A-3, First Floor, Sri Sathya Sai Building  
 755, Poonamallee High Road, Kilpauk  
 Chennai- 600 010. Tamil Nadu  
 P : +91 044 43865260, 43838372  
 E : south@prestogroup.com

