

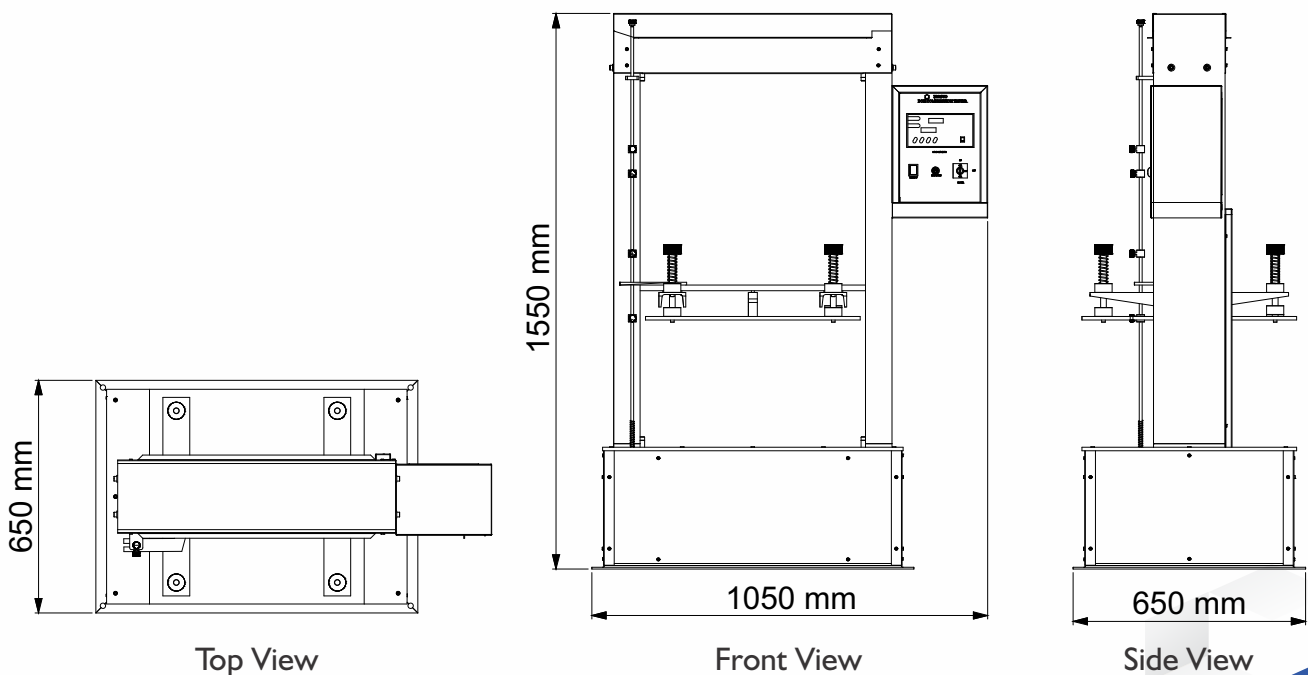
Box Compression Tester – Digital



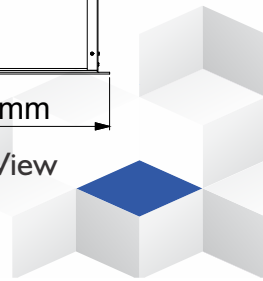
Model No. PBDC-600

Registered Design No. 279106

Box Compression Tester Digital is a consistent tool to indicate the Compression strength of cardboard boxes so that it does not get deformed or crushed when stacked one above the other during storage or transit. PRESTO Box Compression Tester is manufactured under various Test Standards ASTM D642, ASTM D4169, TAPPI T804, ISO 12048, and JIS Z0212. Available in Computerized model also.



* Test Platform size 600x 600 mm



- Microprocessor based display for accurate test results
- Highly accurate test results under uniform compression Force
- TARE and Peak Hold Facility Available
- Over travel protection
- Strong base plate with rugged structure
- Bright LED display
- Feather touch controls

* Optional Printer Facility

The Compression strength is determined by placing the box on a flat platform and pressing it downwards from top with the help of motorized arrangement.

Optional Features:

Computerized models also available.

Available in various platform sizes and Load Cell Capacity.

The compression strength can be calculated by user by placing the box on a flat platform under compressive force.

Key Specifications:

Display	LED (Digital)
Accuracy	± 2% full scale (with master load)
Power	220V, Single / Three phase, 50 Hz
Test Speed	12.5 ± 2.5 mm/min

Highlights:

Multi Speed	Programmed Test speed / Home Speed feature
Peak Hold Facility	Yes (Max. Test Results save in Memory)
Safety Switch	Upward & Downward Limit Switches
Material	Mild Steel
Finish	Powder coated Havel Gray & Blue combination finish and bright chrome / zinc plating for corrosion resistant finish

* Available in 3 Models of Platform Size : • 450 x 450 mm • 600 x 600 mm • 1000 x 1000 mm.

Model	450 x 450 mm & 600 x 600 mm	Capacity : 500 kgf	L.C. 200 gm
Model	1000 x 1000 mm (1 x 1 Mtr.)	Capacity : 1000 Kgf	L.C. 1 Kgf

Thank you customers for choosing us as your partners in growth !



*All the above logos are the sole property of their respective owners and are used purely for depiction purposes only.

OUR OTHER PRODUCTS :-



Head Office :

Presto Stantest Private Limited

I-42, DLF Industrial Area Phase-1, Delhi Mathura Road, Faridabad 121003, Haryana, India

P : +91 129 4272727 (100 Lines) E : info@prestogroup.com

• Faridabad • Kolkata • Mumbai • Pune • Ahmedabad • Chennai • Bangalore

www.prestogroup.com

